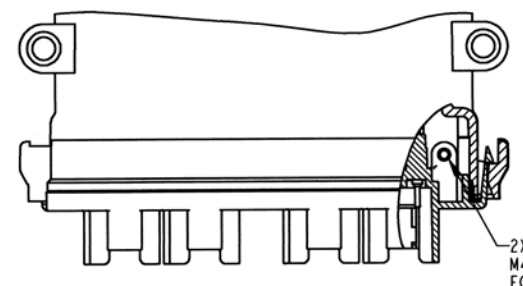


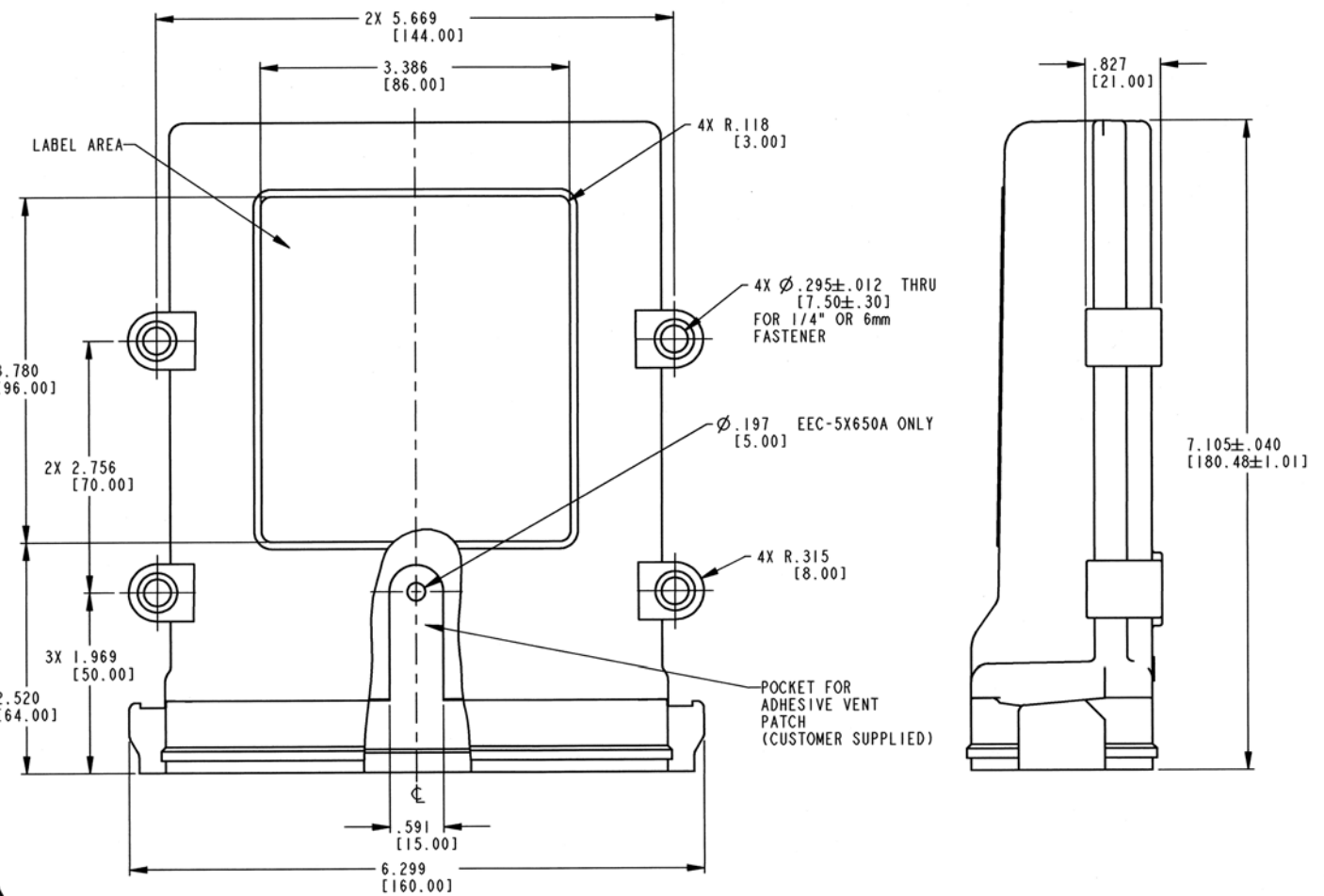
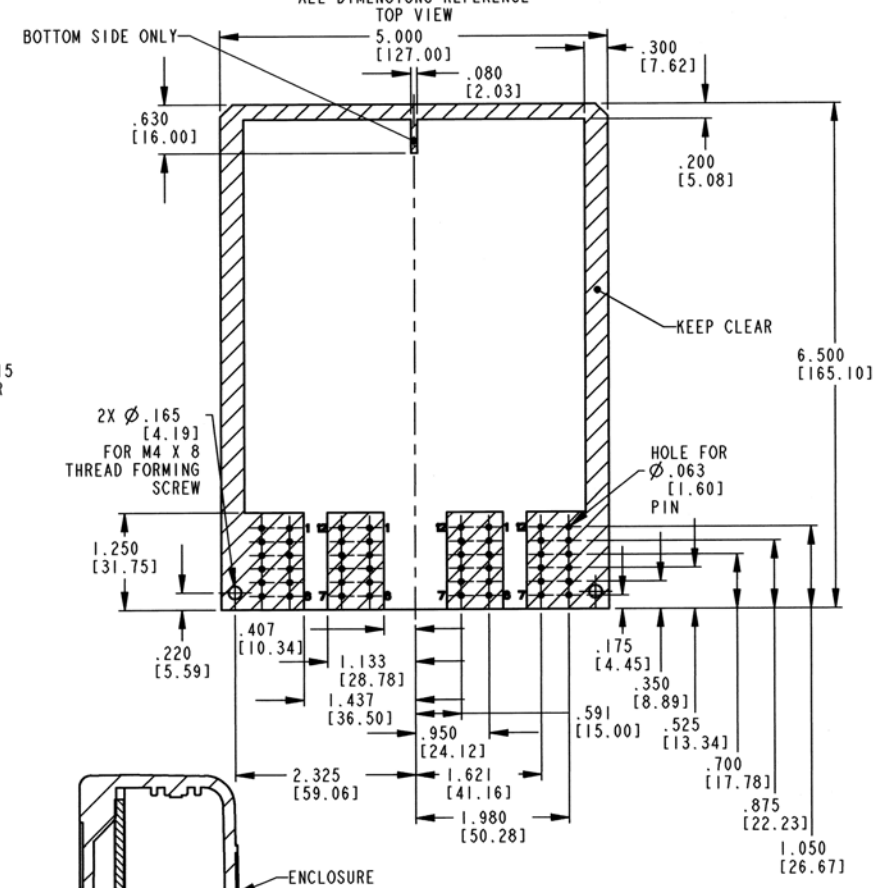
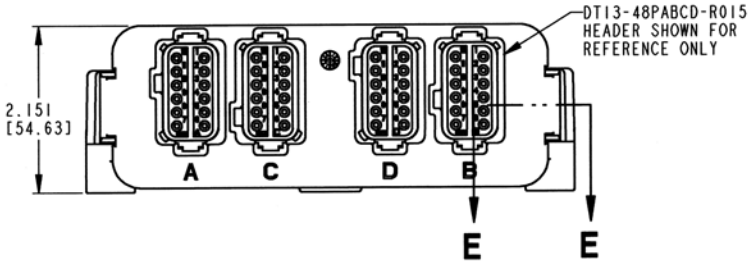
**CIRCUIT BOARD HOLE LOCATIONS  
AND KEEP CLEAR AREAS FOR  
DT13-\*\*\*R015**

BOARD THICKNESS IN KEEP CLEAR AREA TO BE .093±.004.  
MAX. COMPONENT HEIGHT OVER BOARD .992[25.20].  
MAX. COMPONENT HEIGHT UNDER BOARD .157[4.00].  
ALL DIMENSIONS REFERENCE

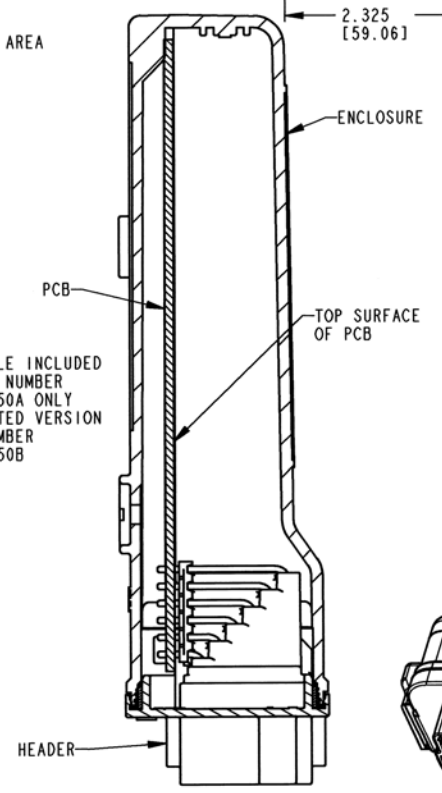
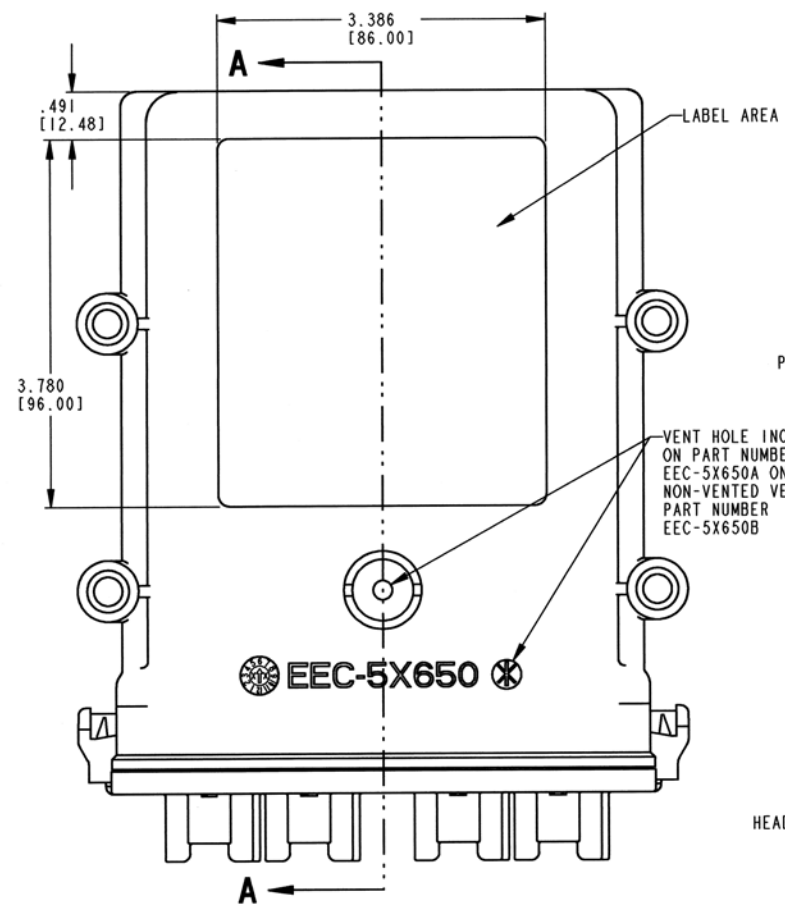
REV		REVISIONS		
NC	SYM	DESCRIPTION	DATE	APPROVED
NC		NEW RELEASE PER E.O. P20721	12-17-10	RDR



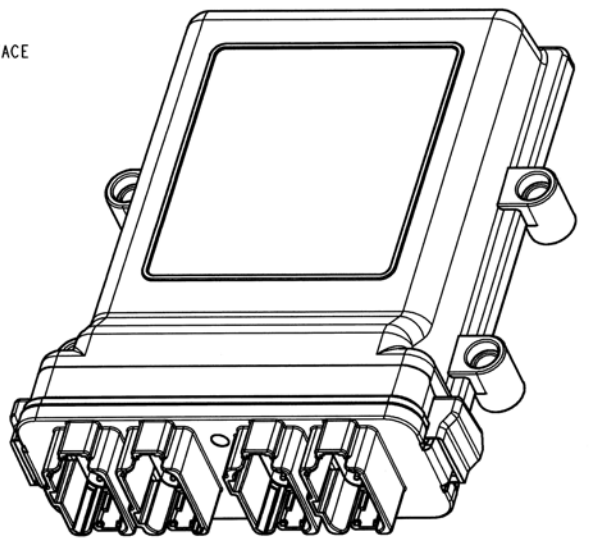
**SECTION E-E**



**SECTION B-B**



**SECTION A-A**



- NOTES:
1. DIMENSIONS ARE IN INCHES [MILLIMETERS].
  2. DIMENSIONS ARE ±.025 [ .64] UNLESS OTHERWISE SPECIFIED.
  3. MATERIAL: NYLON 6/6 BLACK.
  4. THIS ENCLOSURE MATES WITH DT13-\*\*\*R015 AND -GR02 HEADERS.  
(\* = PIN ARR. 12,24,36,48; \*2 = KEY ARR. A,B,C,D).

SIGNATURE & DATE		PCB ENCLOSURE SHOWN WITH 48 PIN HEADER VENTED AND NON-VENTED DT SERIES	EP 208	MAT. CODE
DR	R.MESSENGER 6/11/10		3850 INDUSTRIAL AVE. HEMET, CA 92545	
CHK			DEUTSCH INDUSTRIAL	
PE			EEC-5X650A/B	
APPD		ENVELOPE		
SCALE	NONE	WT	DWG SIZE	CODE 1139 SHEET 1 OF 1